



Timing relay, electronic OFF delay without control signal or smooth passing make contact non-volatile 7 time ranges 0.05...600 s 12-240 V AC/DC at 50/60 Hz AC, 2 change-over contacts with LED Spring-type terminal (push-in)

product brand name	SIRIUS
product designation	timing relay
design of the product	rückfallverzögert ohne Steuersignal, nullspannungssicher, einschaltwischend
product type designation	3RP25
General technical data	
product component	
• relay output	Yes
• semi-conductor output	No
product extension required remote control	No
product extension optional remote control	No
power loss [W] maximum	2 W
insulation voltage for overvoltage category III according to IEC 60664 with degree of pollution 3 rated value	300 V
test voltage for isolation test	2.5 kV
degree of pollution	3
surge voltage resistance rated value	4 000 V
protection class IP	IP20
shock resistance acc. to IEC 60068-2-27	11g / 15 ms
vibration resistance acc. to IEC 60068-2-6	10 ... 55 Hz / 0.35 mm
mechanical service life (switching cycles) typical	10 000 000
electrical endurance (switching cycles) at AC-15 at 230 V typical	100 000
adjustable time	0.05 ... 600 s
relative setting accuracy relating to full-scale value	5 %; +/-
thermal current	5 A
minimum ON period	250 ms
recovery time	250 ms
reference code acc. to IEC 81346-2	K
relative repeat accuracy	1 %; +/-
influence of the surrounding temperature	1% in the whole temperature range to the set runtime
power supply influence	1% in the whole voltage range to the set runtime
Substance Prohibittance (Date)	12.09.2014
Control circuit/ Control	
type of voltage of the control supply voltage	AC/DC
control supply voltage 1 at AC	
• at 50 Hz	12 ... 240 V
• at 60 Hz	12 ... 240 V
control supply voltage frequency 1	50 ... 60 Hz
control supply voltage 1	

<ul style="list-style-type: none"> • at DC 	12 ... 240 V
operating range factor control supply voltage rated value at DC <ul style="list-style-type: none"> • initial value • full-scale value 	0.85 1.1
operating range factor control supply voltage rated value at AC at 50 Hz <ul style="list-style-type: none"> • initial value • full-scale value 	0.85 1.1
operating range factor control supply voltage rated value at AC at 60 Hz <ul style="list-style-type: none"> • initial value • full-scale value 	0.85 1.1
inrush current peak <ul style="list-style-type: none"> • at 24 V • at 240 V 	0.4 A 5 A
duration of inrush current peak <ul style="list-style-type: none"> • at 24 V • at 240 V 	0.3 ms 0.5 ms
Switching Function	
switching function <ul style="list-style-type: none"> • ON-delay • ON-delay/instantaneous contact • passing make contact • passing make contact/instantaneous contact • OFF delay 	No No Yes No Yes
switching function <ul style="list-style-type: none"> • flashing symmetrically with interval start/instantaneous • flashing symmetrically with interval start • flashing symmetrically with pulse start/instantaneous • flashing symmetrically with pulse start • flashing asymmetrically with interval start • flashing asymmetrically with pulse start 	No No No No No No
switching function <ul style="list-style-type: none"> • star-delta circuit with delay time • star-delta circuit 	No No
switching function with control signal <ul style="list-style-type: none"> • additive ON-delay • passing break contact • passing break contact/instantaneous • OFF delay • OFF delay/instantaneous • pulse delayed • pulse delayed/instantaneous • pulse-shaping • pulse-shaping/instantaneous • additive ON-delay/instantaneous • ON-delay/OFF-delay/instantaneous • passing make contact • passing make contact/instantaneous contact 	No No No No No No No No No No No No No
switching function of interval relay with control signal <ul style="list-style-type: none"> • retrotriggerable with deactivated control signal/instantaneous contact • retrotriggerable with switched-on control signal • retrotriggerable with switched-on control signal/instantaneous contact • retriggerable with deactivated control signal 	No No No No
Short-circuit protection	
design of the fuse link for short-circuit protection of the auxiliary switch required	fuse gL/gG: 4 A

Auxiliary circuit	
material of switching contacts	AgSnO ₂
number of NC contacts delayed switching	0
number of NO contacts delayed switching	0
number of CO contacts delayed switching	2
operational current of auxiliary contacts at AC-15	
• at 24 V	3 A
• at 250 V	3 A
operational current of auxiliary contacts at DC-13	
• at 24 V	1 A
• at 125 V	0.2 A
• at 250 V	0.1 A
operating frequency with 3RT2 contactor maximum	5 000 1/h
contact reliability of auxiliary contacts	one incorrect switching operation of 100 million switching operations (17 V, 5 mA)
switching capacity current with inductive load	0.01 ... 3 A
Inputs/ Outputs	
product function	
• at the relay outputs switchover delayed/without delay	No
• non-volatile	Yes
Electromagnetic compatibility	
EMC emitted interference acc. to IEC 61812-1	ambience A (industrial sector)
EMC immunity acc. to IEC 61812-1	corresponds to degree of severity 3
conducted interference	
• due to burst acc. to IEC 61000-4-4	2 kV network connection / 1 kV control connection
• due to conductor-earth surge acc. to IEC 61000-4-5	2 kV
• due to conductor-conductor surge acc. to IEC 61000-4-5	1 kV
field-based interference acc. to IEC 61000-4-3	10 V/m
electrostatic discharge acc. to IEC 61000-4-2	4 kV contact discharge / 8 kV air discharge
Safety related data	
protection class IP on the front acc. to IEC 60529	IP20
type of insulation	Basic insulation
category acc. to EN 954-1	none
Connections/ Terminals	
product component removable terminal for auxiliary and control circuit	Yes
type of electrical connection for auxiliary and control circuit	spring-loaded terminals (push-in)
type of connectable conductor cross-sections	
• solid	0.5 ... 4 mm ²
• finely stranded with core end processing	0.5 ... 2.5 mm ²
• finely stranded without core end processing	0.5 ... 4 mm ²
• at AWG cables solid	20 ... 12
• at AWG cables stranded	20 ... 12
connectable conductor cross-section	
• solid	0.5 ... 4 mm ²
• finely stranded with core end processing	0.5 ... 2.5 mm ²
• finely stranded without core end processing	0.5 ... 4 mm ²
AWG number as coded connectable conductor cross section	
• solid	20 ... 12
• stranded	20 ... 12
Installation/ mounting/ dimensions	
mounting position	any
fastening method	screw and snap-on mounting onto 35 mm standard mounting rail
height	100 mm
width	22.5 mm
depth	90 mm
required spacing	

- with side-by-side mounting
 - forwards 0 mm
 - backwards 0 mm
 - upwards 0 mm
 - downwards 0 mm
 - at the side 0 mm
- for grounded parts
 - forwards 0 mm
 - backwards 0 mm
 - upwards 0 mm
 - at the side 0 mm
 - downwards 0 mm
- for live parts
 - forwards 0 mm
 - backwards 0 mm
 - upwards 0 mm
 - downwards 0 mm
 - at the side 0 mm

Ambient conditions

installation altitude at height above sea level maximum	2 000 m
ambient temperature	
• during operation	-25 ... +60 °C
• during storage	-40 ... +85 °C
• during transport	-40 ... +85 °C
relative humidity during operation	10 ... 95 %

Certificates/ approvals

General Product Approval	EMC	Declaration of Conformity
--------------------------	-----	---------------------------



[Miscellaneous](#)

Declaration of Conformity	Test Certificates	Marine / Shipping
---------------------------	-------------------	-------------------



[Type Test Certificates/Test Report](#)



Marine / Shipping	other
-------------------	-------



[Confirmation](#)

Further information

Information- and Downloadcenter (Catalogs, Brochures,...)

<https://www.siemens.com/ic10>

Industry Mall (Online ordering system)

<https://mall.industry.siemens.com/mall/en/en/Catalog/product?mfb=3RP2540-2BW30>

Cax online generator

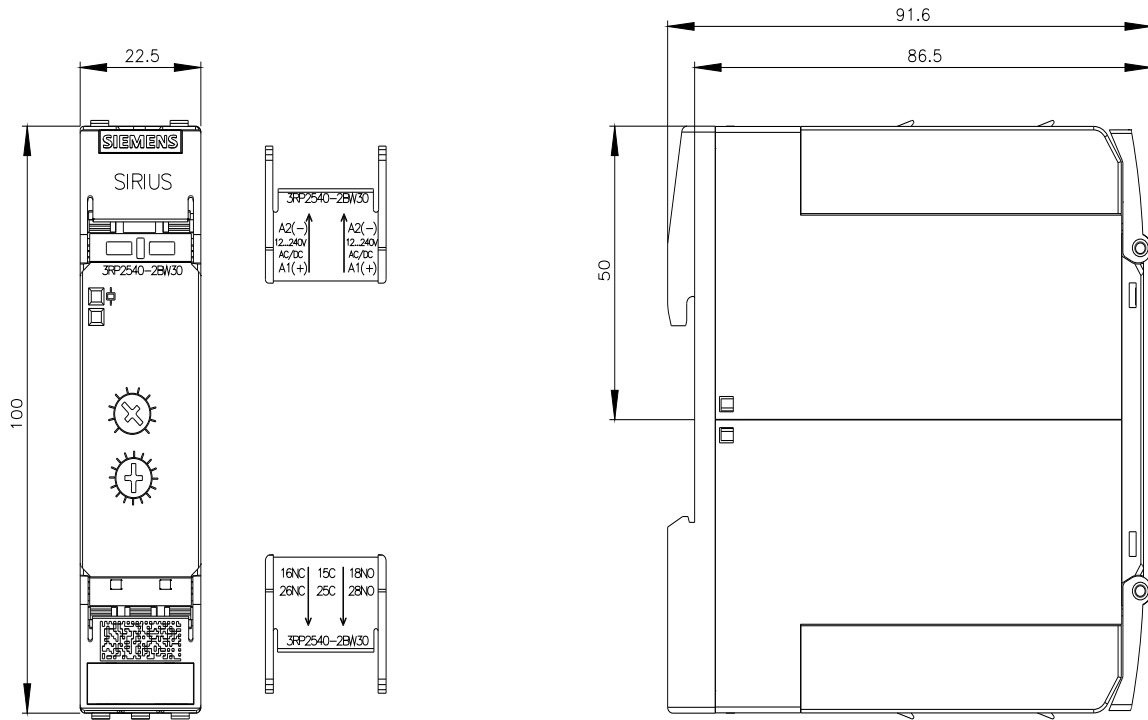
<http://support.automation.siemens.com/WWW/CAXorder/default.aspx?lang=en&mfb=3RP2540-2BW30>

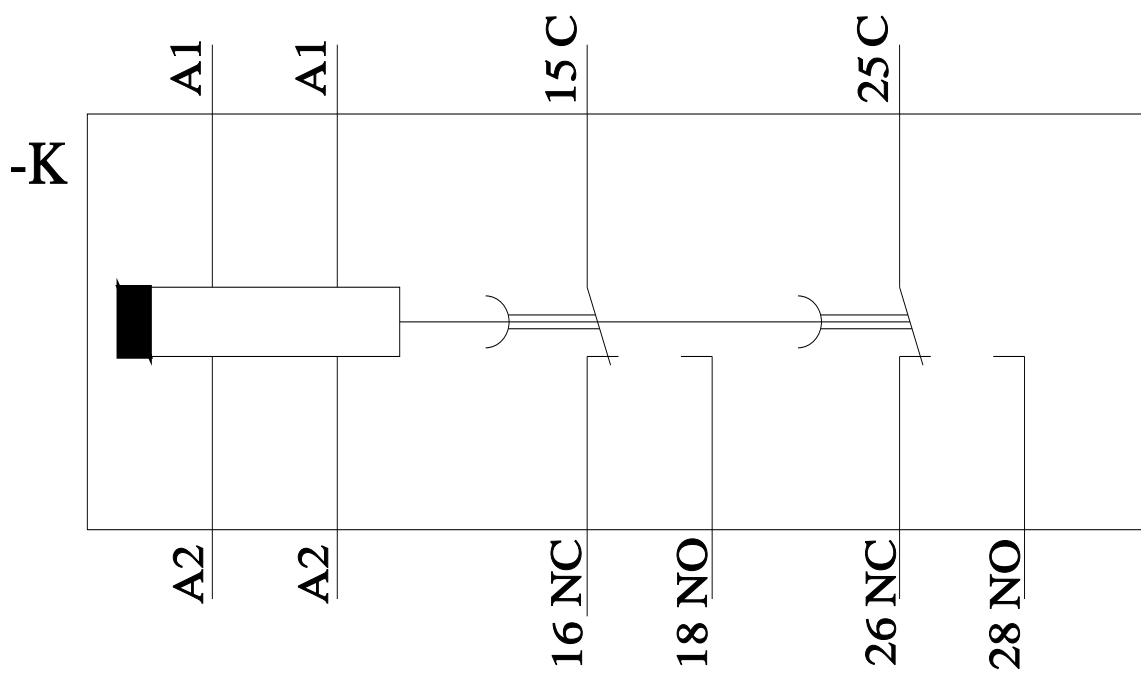
Service&Support (Manuals, Certificates, Characteristics, FAQs,...)

<https://support.industry.siemens.com/cs/ww/en/ps/3RP2540-2BW30>

Image database (product images, 2D dimension drawings, 3D models, device circuit diagrams, EPLAN macros, ...)

Characteristic: Derating





last modified:

12/9/2021 